

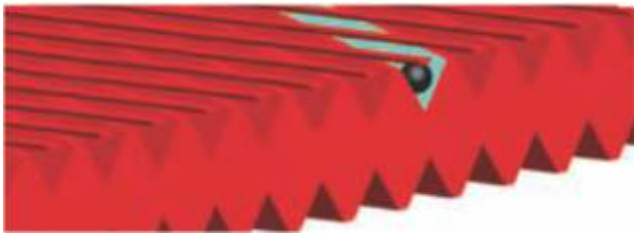
EVERY HOME FILTRATION SOLUTION

AZUD MODULAR 100 filter is manufactured with technical plastic and is highly efficient to remove sand & sediment in water supply.

ADVANTAGES

✓ **MAXIMUM QUALITY AND SAFETY IN FILTRATION** in a wide range of filtration grades in discs.

- **Disc filtering element** with threaded closure that facilitates easy handling, which ensures the compression and prevents accidental disc loss.



✓ **LARGER FILTRATION AREA AND LOW MAINTENANCE** allows to reduce the frequency and intensity of maintenance. The filtering elements can be taken out for cleaning.

✓ **ROBUSTNESS** base and Lid manufactured in Technical thermoplastic.

✓ **THREADED CLOSURE SYSTEM** highly efficient to high and low pressure.

✓ **GASKET IN THE FILTER LID** avoiding its loss or wear & tear during maintenance.

✓ **EQUIPPED WITH AUXILIARY CONNECTIONS**

- **Lid with threaded connection** which allows draining or depressurization.
- **Manometric intakes** all the models are equipped with manometric intakes.

✓ **EASY HANDLING** does not require any tools for maintenance.

✓ **EASY INSTALLATION**

✓ **RESISTANCE TO CHEMICAL PRODUCTS** with special gaskets. Applicable for fertigation.

TECHNOLOGY

Manometric Intakes

BSP / NPT Connection



Robustness

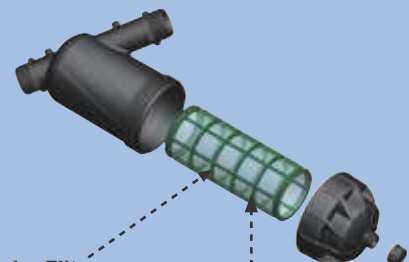
Easy and Safe closure system

Disc Element PP (130 micron filtration grade)



Effective closure system that avoids discs not to be compressed or lost during their cleaning.

Modular Filter interchangeable filtering elements. Different disc or screen filtration grades.



Wide filtering surface

Auxiliary Connection



Disc Filters are widely used in homes to remove suspended impurities from potable water

MATERIAL

Housing	Technical Plastic
Filtering Elements	PP grooved discs 316 AISI stainless steel/Technical plastic screen

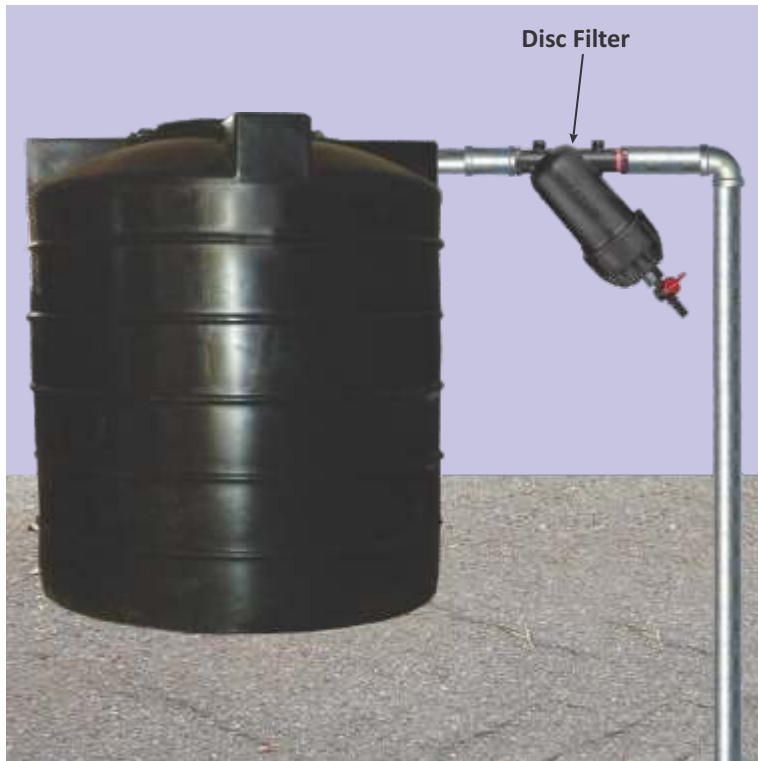
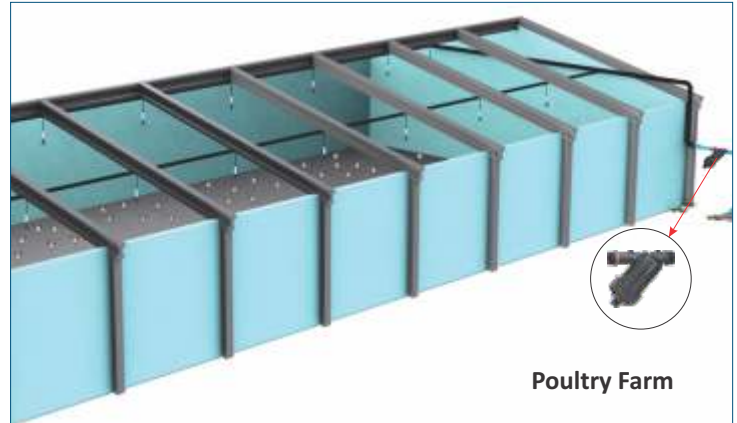
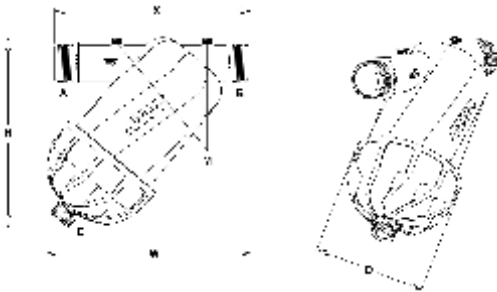
Maximum pressure 8 bar/116 psi • Maximum temperature 60°C/140 F

Dimensions (mm)

Model	Max Flow	A-B	H	W	X	D
3/4"	5M ³ /H	3/4" BSP	173	185	158	83
1"	6M ³ /H	1" BSP	173	190	168	83
1 1/4"	10M ³ /H	1 1/4" BSP	202	231	231	115
1 1/2"	14M ³ /H	1 1/2" BSP	202	231	231	115
1 1/2" Super	20M ³ /H	1 1/2" BSP	242	261	252	144
2"	25M ³ /H	2" BSP	248	270	267	144

AZUD MODULAR 100

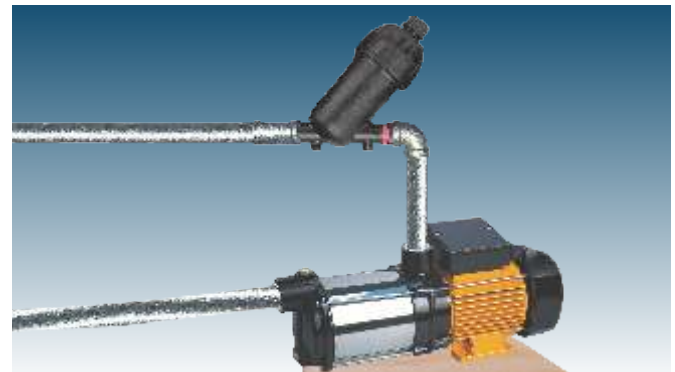
Available in NPT connection
E 3/4" BSP connection
M 1/4" BSP connection



Filtration at inlet of roof top water storage tanks



At pump outlet for Fountains



At the outlet of domestic submersible or jet pumps

AZUD INDIA

PRINCIPAL OFFICE : 308 Meghdoot, 94 Nehru Place, New Delhi - 110 019

Tel.: +91-11-46224444, Toll Free: 1800 11 6070

REGIONAL OFFICE: B. D. Patel House, Nr. Sardar Patel Statue

Naranpura. Ahmedabad – 380014; Tel.: +91-79-65254106

Email: azud.india@azud.com, info@azud.in, web: www.azud.com

Associate Address