

SuperFlow™ Series

Pressure tanks with replaceable membrane



Features

- 50 to 10,000 liters
- 10/16/25 bar pressure rating
- Built-in pressure gauge
- Stainless steel water connection
- Lifting lugs are mounted for easy movement
- Replaceable membrane design



Certifications may vary by model. Check with your GWS sales representative for more detailed information.

SuperFlow™ series tanks are ideally suited for applications where high-volumes and/or high-pressure ratings are required. These applications may include pressure booster systems, hot water circulation systems as well as water hammer arresting in high-rise and multistory buildings such as hotels, hospitals, or business centers.

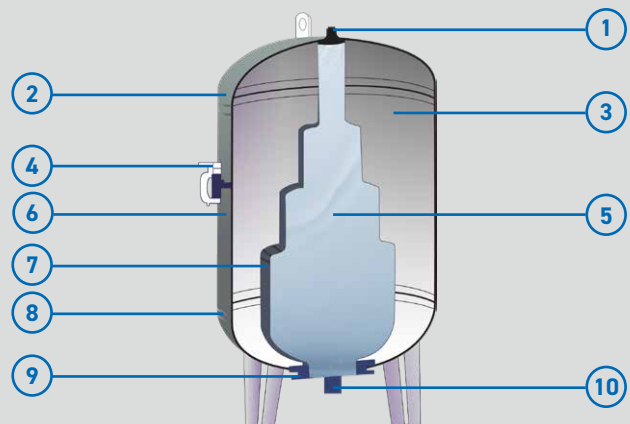
SuperFlow series tank volumes range from 50 liters up to 10,000 liters making SuperFlow one of the most comprehensive pressure tank lines globally. The interchangeable membrane design allows the end user to replace the membrane as required, and the built-in pressure gauge (available on 100L models and above) allows for easy and efficient pressure monitoring.

SuperFlow series tanks are designed to the EN13831:2007 technical standard and produced in accordance with the Pressure Equipment Directive 2014/68/EU. The tanks are inspected at several stages during production to ensure premium quality and represent the best value for the investment.

Given regular pre-charge maintenance, we recommend checking tank pre-charge every 3 months, SuperFlow series tanks will serve your needs for years to come.

Construction of SuperFlow™ tank

1. Membrane hanger
2. Carbon steel tank shell
3. Pre-charged air
4. Built-in pressure gauge
5. Water chamber
6. Air valve
7. High grade interchangeable membrane
8. High precision welded seam
9. Bolted flange
10. Stainless steel water connection



Where Water Gets Better

Models

Model Number	Nominal Volume [L]	Connection	Dimensions [mm]		Installation Dimensions [mm]				Gross Weight [kg]
		F	A	B	C	D	E	G	
10 bar									
SFB-INT-100LV	100	1" BSPT	897	480	350	60*60	170	14	20
SFB-INT-150LV	150	1" BSPT	933	590	460	60*60	150	14	25
SFB-INT-200LV	200	1 ¼" BSPT	1073	590	460	60*60	150	14	40
SFB-INT-300LV	300	1 ¼" BSPT	1238	680	480	60*70	217	14	51
SFB-INT-500LV	500	1 ¼" BSPT	1561	756	530	80*80	195	14	99
SFB-INT-750LV	750	2" BSPT	1834	756	530	80*80	190	14	121
SFB-INT-850LV	850	2" BSPT	1976	806	590	100*100	280	20	134
SFB-INT-1000LV	1000	2" BSPT	2376	806	590	100*100	280	20	169
SFB-INT-1500LV	1500	2" BSPT	2435	958	690	100*100	270	20	258
SFB-INT-2000LV	2000	2" BSPT	2505	1110	760	100*100	270	20	363
SFB-INT-3000LV	3000	DN150	3175	1210	900	150*150	230	24	630
SFB-INT-4000LV	4000	DN150	3378	1410	1050	150*150	230	24	747
SFB-INT-5000LV	5000	DN150	3778	1410	1050	150*150	230	24	838
SFB-INT-6000LV	6000	DN150	4578	1410	1050	150*150	230	24	978
SFB-INT-10000LV	10000	DN150	5840	1610	1100	150*150	210	24	1380
16 bar									
SMB-INT-150LV	150	1" BSPT	935	590	460	60*60	150	14	41
SMB-INT-200LV	200	1¼" BSPT	1075	590	460	60*60	150	14	51
SMB-INT-300LV	300	1¼" BSPT	1240	680	480	60*70	217	14	65
SMB-INT-500LV	500	1¼" BSPT	1565	760	530	80*80	190	14	160
SMB-INT-750LV	750	2" BSPT	1862	760	530	80*80	190	14	187
SMB-INT-850LV	850	2" BSPT	1976	810	590	100*100	280	20	203
SMB-INT-1000LV	1000	2" BSPT	2376	810	590	100*100	280	20	258
SMB-INT-1500LV	1500	2" BSPT	2443	962	690	100*100	270	20	362
SMB-INT-2000LV	2000	2" BSPT	2511	1116	760	100*100	270	20	572
SMB-INT-3000LV	3000	DN150	3177	1212	900	150*150	230	24	710
SMB-INT-4000LV	4000	DN150	3384	1416	1050	150*150	230	24	1051
SMB-INT-5000LV	5000	DN150	3784	1416	1050	150*150	230	24	1185
SMB-INT-6000LV	6000	DN150	4584	1416	1050	150*150	230	24	1408
SMB-INT-10000LV	10000	DN150	5846	1616	1200	150*150	210	24	2036
25 bar									
SUB-INT-50LV	50	1" BSPT	740	380	295	60*60	130	14	26
SUB-INT-60LV	60	1" BSPT	820	380	295	60*60	130	14	28
SUB-INT-80LV	80	1" BSPT	965	460	350	60*60	130	14	57
SUB-INT-100LV	100	1" BSPT	985	460	350	60*60	130	14	58
SUB-INT-150LV	150	1" BSPT	1060	510	400	60*60	125	14	68
SUB-INT-200LV	200	1¼" BSPT	1109	612	460	60*60	115	14	115
SUB-INT-300LV	300	1¼" BSPT	1301	666	480	80*80	190	14	173
SUB-INT-500LV	500	1¼" BSPT	1594	766	530	80*80	190	14	237
SUB-INT-750LV	750	2" BSPT	1866	766	530	80*80	190	14	281
SUB-INT-850LV	850	2" BSPT	1984	816	590	100*100	280	20	325
SUB-INT-1000LV	1000	2" BSPT	2384	816	590	100*100	280	20	403
SUB-INT-1500LV	1500	2" BSPT	2447	970	690	100*100	270	20	581
SUB-INT-2000LV	2000	2" BSPT	2519	1124	760	100*100	270	20	831
SUB-INT-3000LV	3000	DN150	3185	1220	900	150*150	230	24	1071
SUB-INT-4000LV	4000	DN150	3388	1420	1050	150*150	230	24	1290
SUB-INT-5000LV	5000	DN150	3788	1420	1050	150*150	230	24	1451
SUB-INT-6000LV	6000	DN150	4588	1420	1050	150*150	230	24	1730
SUB-INT-10000LV	10000	DN150	5854	1624	1200	150*150	210	24	2953



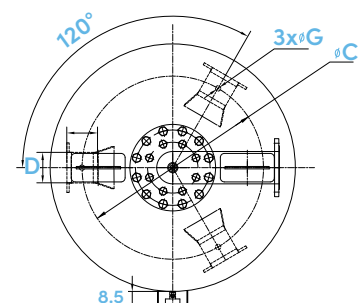
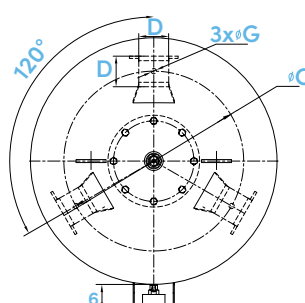
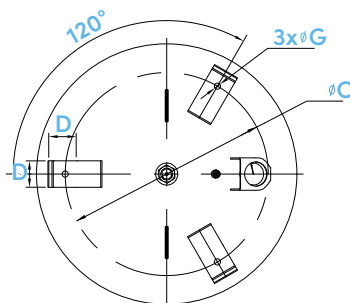
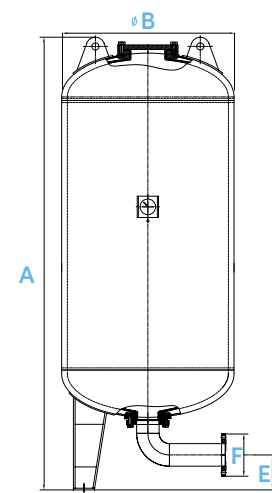
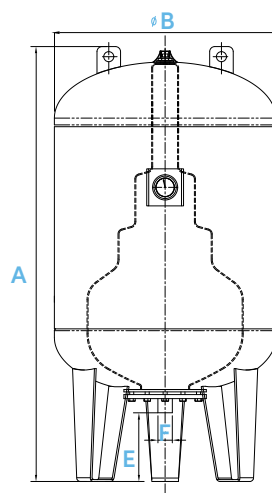
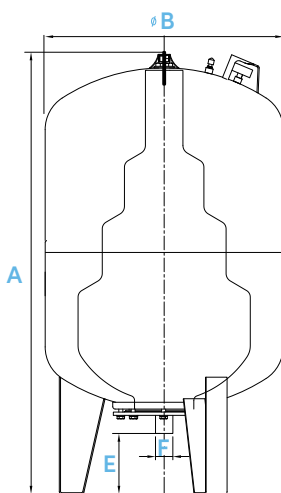
SuperFlow™ Series

Pressure tanks with replaceable membrane

Note: Minor dimensional variations may occur.

Specifications

Product Series Name	SuperFlow™
Nominal Volumes	50 - 10000 L
Min. Operating Temperature	-10°C / 14°F (Avoid Freezing)
Max. Operating Temperature	90°C / 194°F
Max. Operating Pressure	SFB Series: 10 bar 150 psi SMB Series: 16 bar 232 psi SUB Series: 25 bar 362 psi
Factory Pre-charge	4 bar 58 psi



100~300L (10, 16 bar)

500~2000L (10, 16 bar)
50~2000L (25 bar)

3000~10000L